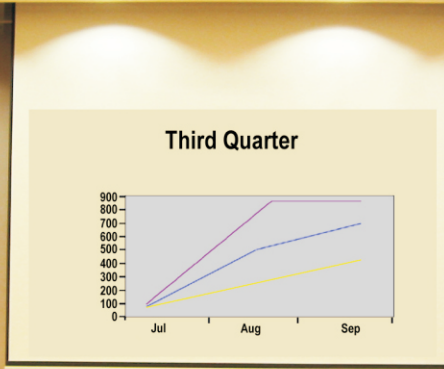


XXL Series...

REMACO

Motorized Screen



Remaco XXL motorized projection screen is the "BIG BROTHER" of our popular PRO Series motorized screen. With all the great features known from all Remaco screens - durable, ease of operation and installation. The greatest feature is, in the case of motor breakdown (which seldom happen), the motor can be replaced without taking down the screen at all! Made of high quality materials, Remaco XXL motorized projection screen has superior image reproduction. The XXL Series is ideal for theaters, auditoriums, halls, etc. Available in sizes from 4m (width) to 6.5m (width).

* Please contact us for screen that required above 6.5m width.



- ✓✓ Ease of installation
- ✓✓ Universal mounting kit for all types of mounting
- ✓ Adjustable setting for desired up/down position
- ✓ Adjustable screen position horizontally
- ✓ Motor can be replaced without taking down the screen

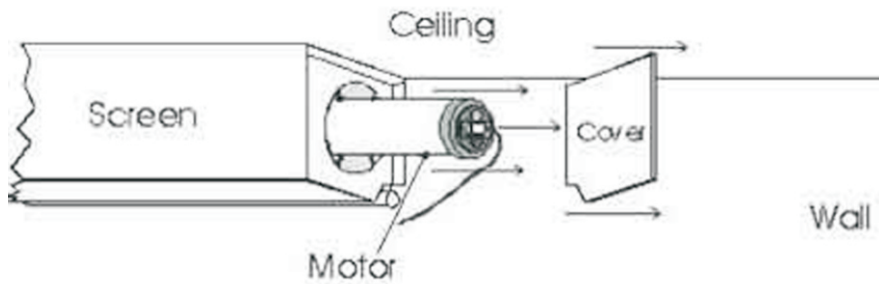


Mechanical Wall Switch

Specifications:

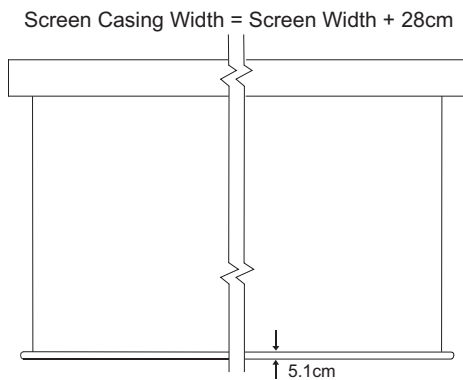
Motor Speed	12rpm
Operating Temperature	130 deg. Celsius (thermostat cut off motor)
Fabric Roll Speed	6.0 metres per minute
Gain	1.2
Viewing Angle	160 deg. viewing cone
Power Consumption	260 watts (with load)
Current	1.2 Amperes
Voltage	110-120VAC or 220-240VAC , 50/60 Hz

Hassle free when replacing faulty motor:

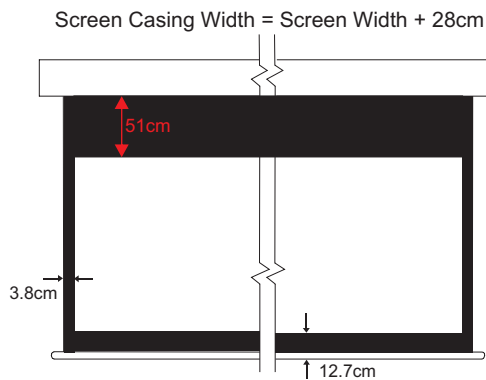


You need NOT bring down the whole screen when you need to replace the motor.

Replacement of motor can be done pulling it out from the side and inserting a new one.



Screen with no black border



Screen with 4 sides black border

* For details dimension , please refer to technical specifications at www.remacotech.com

