

Ultra Short Throw Laser Projector

Specifications			
Model name	MP-AW4001	MP-AW3001	MP-AX3001
Display system	3LCD		
Display device	Size of effective display area 0.59", aspect ratio 16 : 10 1,024,000 pixels (1,280 horizontal × 800 vertical)		0.63", aspect ratio 4 : 3 786,432 pixels (1,024 horizontal × 768 vertical)
Lens	Zoom Digital zoom (1.35×)		
Focus	Powered		
Light source	Laser diode		
Screen size	60 ~ 130 inch		
Light output (Brightness)	4,200 lm ¹	3,300 lm ¹	3,500 lm ¹
Contrast ratio (full white / full black)	500,000 : 1 ¹		
Speaker	16 W × 1 mono		
Displayable scanning frequency	Horizontal 15 ~ 106 kHz Vertical 50 ~ 120 Hz		
Display resolution	Computer VGA, SVGA, XGA, WXGA, SXGA, WXGA+, WXGA++, WSXGA+, UXGA, Full HD, Mac 16" Video NTSC, NTSC4.43, PAL, SECAM, PAL-M, PAL-N, PAL(60 Hz), 480i@60, 480p@60, 576i@50, 576p@50, 720p@50/60, 1080i@50/60, 1080p@50/60		
Terminals	HDMI IN HDMI connector × 2 (HDMI IN 1 supports MHL input.) COMPUTER IN 1 Mini D-sub 15-pin connector × 1 COMPUTER IN 2 / MONITOR OUT Mini D-sub 15-pin connector × 1 VIDEO IN RCA connector × 1 AUDIO IN 3.5mm stereo mini connector × 2, RCA connector L/R × 1 AUDIO OUT 3.5mm stereo mini connector × 1 CONTROL IN (RS-232C) D-sub 9-pin connector × 1 LAN RJ-45 connector × 1 USB-A USB type A × 2 (PC-LESS presentation or Wireless adapter (option)) USB-B USB type B × 1 (USB Display and USB mouse control)		
Network	Wired 100BASE-TX/10BASE-T Wireless (Option ²) IEEE 802.11a/b/g/n/ac		
Operating temperature	0 ~ 40 °C ³ (The brightness of light source may be reduced automatically over 35 °C.)		
Operating humidity	10 ~ 80%RH (non-condensing)		
Power requirements	AC 100 - 120 V (50/60 Hz), 3.7 A AC 220 - 240 V (50/60 Hz), 1.9 A AC 100 - 120 V (50/60 Hz), 3.0 A AC 220 - 240 V (50/60 Hz), 1.5 A		
Power consumption	AC 100 - 120 V : 360 W AC 220 - 240 V : 350 W AC 100 - 120 V : 290 W AC 220 - 240 V : 280 W		
Standby mode power consumption	Less than 0.5 W ⁴		
Standard outside dimensions (W × H × D)	512 mm × 155 mm × 424 mm (20.1" × 6.1" × 16.7") (Including protrusions) 506 mm × 139 mm × 424 mm (19.9" × 5.5" × 16.7") (Excluding protrusions)		
Weight	Approx. 7.6 kg (16.8 lbs.) Approx. 7.4 kg (16.3 lbs.)		
Accessories	Remote control with two AA batteries, Power cord, Computer cable, Adapter cover, User's manual, Security label		
Optional parts	Air filter UX43251 ⁵ / UX43931 ⁵ Mounting accessories HAS-WM06 (Wall mount, supported image size: 70~110 inch) HAS-9110 (Bracket for fixing mount) HAS-304H (Long adapter for fixing mount) USB wireless adapter USB-WL-5G ⁶		

*1: When PICTURE MODE is set to DYNAMIC, and LIGHT OUTPUT is set to NORMAL 100%. *2: Optional wireless adapter is needed. *3: 0 ~ 40°C at altitude from 0 m to 1,600 m. 0 ~ 35°C at altitude from 1,600 m to 3,048 m. *4: SAVING mode disables the functions of MONITOR OUT, AUDIO OUT, speaker sound, network communication, RS-232C control except POWER ON command, etc. in standby. *5: Please refer to the user's manual for choosing the appropriate filter. *6: The availability of the USB-WL-5G varies depending on the country and the region.

Environment

- ▶ Compliance with EU Directive RoHS¹
- ▶ Power saving mode engaged during standby
- ▶ Long Life mode
- ▶ No use of mercury lamp

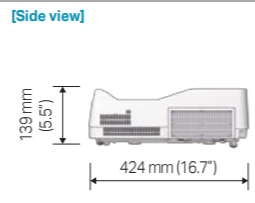
¹ RoHS is the acronym of "Directive 2011/65/EU of the European Parliament and of the Council of 8 June 2011 on the restriction of the use of certain hazardous substances in electrical and electronic equipment."

Design and specifications are subject to change without notice.


• The projected images and comparison photos in this catalog are simulations. • LCD panels, polarizers and other optical components and cooling fans may need replacement after prolonged usage. For more details, please consult a sales representative. • Do not use in places where there is a lot of water, dampness, steam, dust, soot or tobacco smoke. This may result in fire or malfunction. • Optical components (light source, LCD panel, polarizing plate, PBS [polarizer beam splitter]) have limited service lives. They must be repaired or replaced if they are used for a long period of time. • During use and immediately after use, do not touch anywhere near the vents as these parts are extremely hot. • Optical components other than the light source: If the projector is used for six hours or more per day, they may need to be replaced in less than a year. • LCD panel: If the projector is used continuously for six hours or more, its replacement cycle may be shortened. • Each product may have differences of color, brightness and focus due to manufacture variation. • Crestron® and Crestron RoomView® are registered trademarks of Crestron Electronics, Inc. in the United States and other countries. • DICOM is the registered trademark of the National Electrical Manufacturers Association for its standards publications relating to digital communications of medical information. • MHL, the MHL logo, and Mobile High-Definition Link are trademarks or registered trademarks of MHL, LLC in the United States and other countries. • HDMI, the HDMI Logo, and High-Definition Multimedia Interface are trademarks or registered trademarks of HDMI Licensing Administrator, Inc. in the United States and other countries. • All other trademarks are the properties of their respective owners.

Dimensions

[Side view]

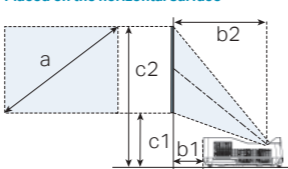


[Top view]

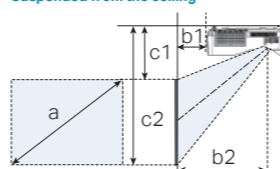


Projection Distance

Placed on the horizontal surface



Suspended from the ceiling



*The figures above are not drawn to scale.

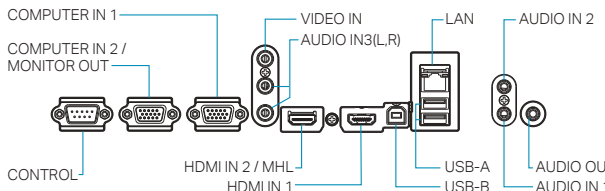
MP-AW4001, MP-AW3001 (1,280 × 800) (±8%)

type (inch)	a		b1		b2		c1		c2	
	m	inch	m	inch	m	inch	m	inch	m	inch
60	1.5	0.079	3.1	0.413	16.3	0.237	9.3	1.044	41.1	
70	1.8	0.149	5.9	0.483	19.0	0.261	10.3	1.203	47.4	
80	2.0	0.219	8.6	0.553	21.8	0.285	11.2	1.362	53.6	
90	2.3	0.289	11.4	0.623	24.5	0.309	12.2	1.521	59.9	
100	2.5	0.359	14.1	0.693	27.3	0.334	13.1	1.680	66.1	
110	2.8	0.428	16.9	0.763	30.0	0.358	14.1	1.839	72.4	
120	3.0	0.498	19.6	0.833	32.8	0.382	15.0	1.997	78.6	
130	3.3	0.568	22.4	0.903	35.5	0.406	16.0	2.156	84.9	

MP-AX3001 (1,024 × 768) (±8%)

type (inch)	a		b1		b2		c1		c2	
	m	inch	m	inch	m	inch	m	inch	m	inch
60	1.5	0.052	2.1	0.387	15.2	0.228	9.0	1.143	45.0	
70	1.8	0.118	4.7	0.453	17.8	0.251	9.9	1.318	51.9	
80	2.0	0.184	7.3	0.519	20.4	0.274	10.8	1.493	58.8	
90	2.3	0.250	9.9	0.585	23.0	0.297	11.7	1.669	65.7	
100	2.5	0.316	12.5	0.651	25.6	0.320	12.6	1.844	72.6	
110	2.8	0.382	15.1	0.717	28.2	0.343	13.5	2.019	79.5	
120	3.0	0.448	17.7	0.783	30.8	0.366	14.4	2.194	86.4	
130	3.3	0.514	20.2	0.849	33.4	0.388	15.3	2.370	93.3	

Terminals




LASER RADIATION
DO NOT STARE INTO BEAM
CLASS 2 LASER PRODUCT
Wavelength : 449-461 nm
Max. Output : 36.5 mW
IEC 60825-1:2007

RAYONNEMENT LASER
NE FIXEZ PAS LE FAISCEAU
PRODUIT LASER DE CLASSE 2
Longueur D'onde : 449-461 nm
Sortie max. : 36.5 mW
IEC 60825-1:2007

雷射輻射
請勿凝視光束
2類雷射光產品
波長 : 449-461 nm
最大輸出 : 36.5 mW
IEC 60825-1:2007

CLASS 1 LASER PRODUCT
PRODUIT LASER DE CLASSE 1
LASERPRODUKT DER KLASSE 1
IEC/EN 60825-1:2014





Maxell 3LCD Ultra Short Throw laser projector delivers a large and vivid image with the unit placed closer to the screen.





*Projected images are simulations.

LINE UP * Local availability may be limited.



MP-AW4001 WXGA 4,200 lm



MP-AW3001 WXGA 3,300 lm



MP-AX3001 XGA 3,500 lm

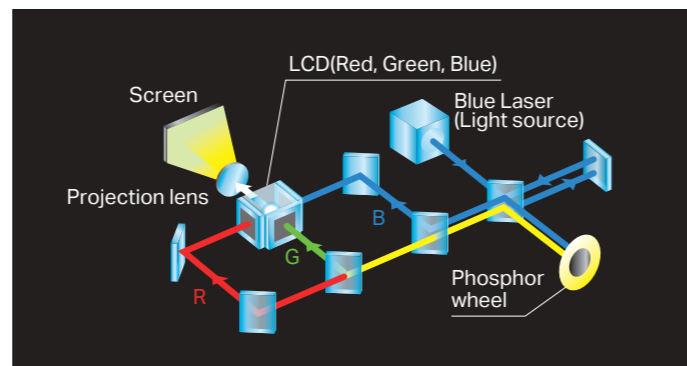


High Reliability and Stability

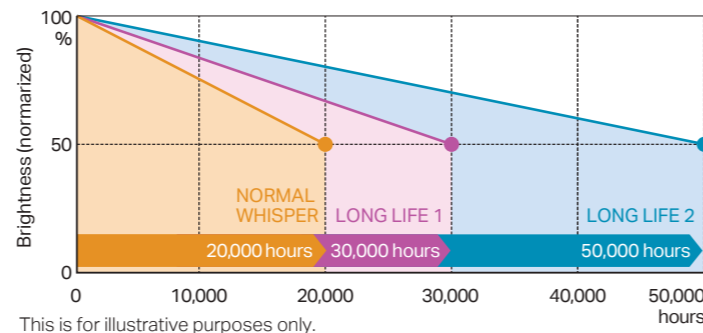
Long Life 20,000 hour Laser Light Source

Maxell's laser light source projectors have 20,000 hours*¹ of light source life. Use for 50,000 hours*¹ can be achieved in LONG LIFE 2 mode. Also, users may select their desired operation mode. Furthermore, in addition to the light source, the phosphor wheel is also dust resistant, suppressing brightness level reduction by preventing dust from coming into contact with the optical parts. Users can enjoy using the projector for long periods of time while maintaining its brightness.

*¹ For laser light source. The value is an estimate and may vary depending on the use environment or use condition.



Brightness Deterioration Comparison between Light Output Modes



This is for illustrative purposes only.

LIGHT OUTPUT	Brightness* ²			Light source life* ³	Noise* ⁴
	MP-AW4001	MP-AW3001	MP-AX3001		
NORMAL	4,200 lm	3,300 lm	3,500 lm	20,000 hours	34 dB
LONG LIFE 1	3,150 lm	2,470 lm	2,620 lm	30,000 hours	
LONG LIFE 2	2,100 lm	1,650 lm	1,750 lm	50,000 hours	28 dB
WHISPER	2,100 lm	1,650 lm	1,750 lm	20,000 hours	

*² These are reference values and may vary depending on products.

*³ The values are an estimate and may vary depending on the usage environment or use condition.

*⁴ Reference values when used in an ambient temperature of 23 °C. The noise level varies by the projector model, installation environment, and use condition.

High Image Quality

Wide Range of Color Reproduction

The color reproduction range is wide compared to lamp light projectors*⁵ and projects brilliantly colored images.

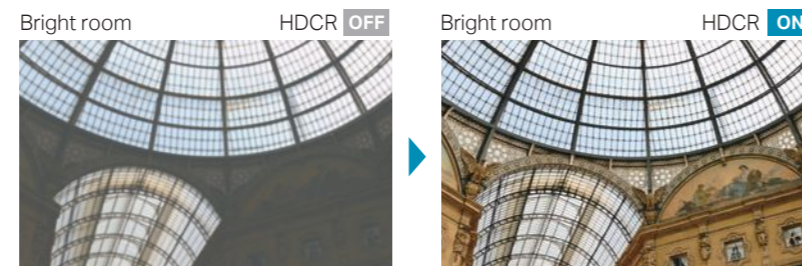
*⁵ Comparison with Maxell 3,700-lumen lamp light source LCD projectors.



* The projected image is simulations.

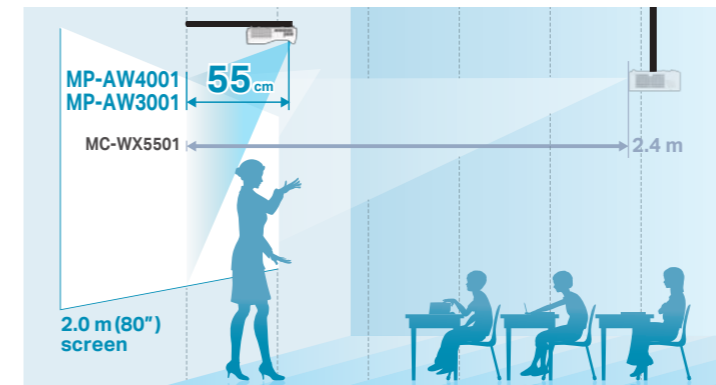
ACCENTUALIZER and HDCR

ACCENTUALIZER makes pictures look more real by enhancing shade, sharpness, and gloss to make pictures clearer. The HDCR function corrects blurred images caused by room lighting or outside light sources, and creates an effect similar to increasing contrast resulting in clear images even in bright rooms.



* The projected images and comparison photos are simulations.

Installability



This figure is not drawn to scale.

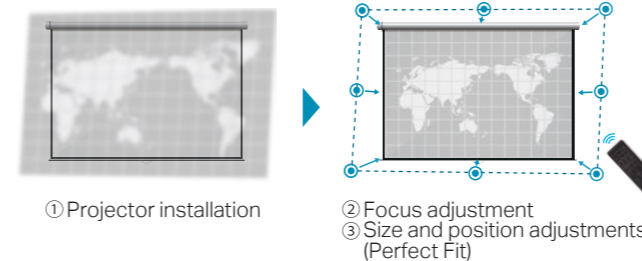
Reduced Glare and Shadows

These projectors feature Ultra Short Throw, for MP-AW4001 and MP-AW3001 projecting a 2.0m (80 inch) image from only 55cm (21.8 inches)*⁶ onto a wall or screen. The Ultra Short Throw greatly reduces glare from the projector's light source, making it easier for a teacher or presenter to see the audience. The audience also has a clearer view because the shadows of the teacher's or presenter's hands and body are minimized. The result is a better classroom or meeting room experience for everyone.

*⁶ The projector MP-AX3001 projects an 80 inch image from 52 cm (20.4 inches).

Powered Focus and Perfect Fit

Equipped with powered focus and Perfect Fit with which the position of four corners and four sides of a projected image can be adjusted. With the remote controller at hand, you can adjust focus and the position of an image.



Large Image Size Up To 130 inches

The projector can project a 60 to 130 inch image in a distance of 41 to 90 cm for MP-AW4001 / MP-AW3001 (39 to 85 cm for MP-AX3001)*⁷ depending on your needs and setup.

*⁷ Distance from screen to center of projection window.

Small Classroom or Meeting



60 to 90 inch screen size

Large Classroom or Seminar



90 to 130 inch screen size

* Projected images are simulations.

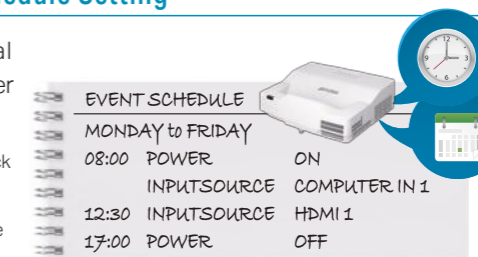
Convenient Functions

Easy Schedule Setting

You can schedule routine and special projector events, including power on, power off, input selection and other settings.

* This function requires a coin battery for the internal clock or connecting to a SNTP server on network.

* When STANDBY MODE is set to NETWORK (WOL) or SAVING, this function (ex. POWER ON) at standby mode will not be operated.



Wireless Dual Band Support (Option)

Provides a stable wireless network environment by supporting wireless dual band (2.4 GHz / 5 GHz).



* Dual Band may be restricted in some countries and regions.

Other Functions

- Quick Start
- DICOM® Simulation Mode*⁸
- 16W Internal Speaker
- MHL connectivity
- Smart Device Control & Monitoring
- Moderator Control Mode
- PIN lock
- Key lock

*⁸ This projector is not a medical device and is not compliant to the DICOM standard, and neither the projector nor this function should be used for medical diagnosis.