

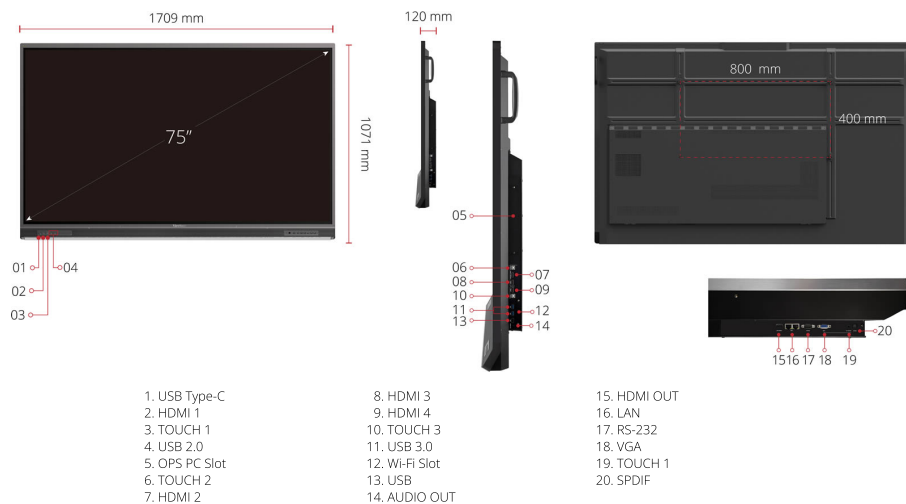
## Key Features

- New Exterior Design with Innovative Multimedia Sound Bar
- USB-C for plug-and-play connectivity via a single cable
- Dual-pen, 33-point touch with naturally smooth writing experience
- Industry-leading audio and advanced eye-care technology
- Centralized remote management system via myViewBoard Manager



## Product Description

The ViewBoard® 52 Series is a 4K Ultra HD interactive whiteboard equipped with user-centric design features and best-in-class collaboration tools for today's lessons made easy. With a single-cable solution for instant, worry-free connectivity and a unique angular design for easy access to shortcut keys and I/O ports, teachers can seamlessly connect and control for uninterrupted, flowing classes. Dual-pen capability, 33-point touch, Ultra Fine Touch and palm awareness technology combine for a naturally smooth writing experience and endless opportunities for student collaboration, supported by 2X15W front-facing speakers and a 15W subwoofer for amplified student engagement. In another industry-first feature of the display, teachers facilitating distance or hybrid learning from their personal device can easily access the 8-mic array and any connected visualizer to select the most appropriate camera and mic source. Complete with a browser-based remote management system, the ViewBoard 52 Series delivers a market-leading interactive whiteboard solution for teachers, students, and IT managers.



## DISPLAY

Panel Size:	75"
Panel Type:	TFT LCD Module with DLED Backlight.
Display Area (mm):	1649.644(H) x 927.936(V)
Aspect Ratio:	16:9
Resolution:	UHD 3840x2160(Pixels)
Colors:	1.07B colors (10bit)
Brightness:	400 nits (typ)
Contrast Ratio:	1200:1 Typ. , 4000:1 Max.(DCR enable)
Response Time:	8ms
Viewing Angles:	H = 178, V = 178 typ.
Backlight Life:	50,000 hrs (typ)
Surface Treatment:	Hardness: 9H. Anti-glare coating
Orientation:	Landscape

## PLATFORM

Processor:	ARM Cortex A73*4
RAM:	4GB
Storage:	32 GB

## TOUCH

Type/ Tech:	UFT (Ultra Fine Touch) Technology
Touch Resolution:	32767 x 32767
Touch Point:	Windows: 33 points touch, Android: 20 points touch

## INPUT

HDMI:	2.0 x4 ( 3840x2160 @60Hz ,HDCP2.2, HDMI2 with CEC/ARC )
RGB / VGA:	x1 (1920x1080 @60Hz)
Audio:	x1 (PC audio in)
RS232:	x1
OPS:	module slot x 1
WiFi:	WiFi module slot x 1

## OUTPUT

HDMI:	x1(3840x2160@60Hz)
Audio:	x1 (Earphone out)
SPDIF:	x1 (optical)

## LAN

RJ45:	x1
-------	----

## USB

Type A:	USB2.0 x 3 (Front x2, Side x1 ) USB3.0 x 2 (Side x 2 )
Type B:	x3(Front x1, Rear x 2)), for touch
Type C:	x1 (USB2.0, DP1.2, Ethernet, PD 65W)

## SPEAKERS

15W x 2 front soundbar + 15W x 1 subwoofer
--

## MICROPHONE

built-in 8-array microphone
-----------------------------

## TOP CAMERA PLATE

Yes
-----

## EMBEDDED OS

9.0
-----

## BUNDLE SOFTWARE

Basic Annotation Software:	myViewBoard WhiteBoard for Android
Pro Annotation Software:	myViewBoard WhiteBoard for Windows (embedded in VPC)
Wireless Presentation:	ViewBoard Cast & myViewBoard Display

## SPECIAL FEATURES

All-in-one USB port:	USB 3.0 x 2
Simple LAN sharing between IFP and slot-in device:	10/100/1000M for Android and PC
Light Sensor:	Yes

## POWER

Voltage:	100-240VAC +/- 10% Wide Range
Consumption:	129.5W(typ.) / Off: <0.5W

## ERGONOMICS

Wall Mount (VESA® ):	800 x 400
----------------------	-----------

## OPERATING CONDITIONS

Temperature (° C):	0°C to 40°C
Humidity:	10% ~ 90% RH Non-Condensing

## DIMENSIONS (W X H X D)

Physical (inch / mm):	1709 x 1071 x 120 mm / 67.3 x 42.2 x 4.7 in
Packaging (inch / mm):	1848 x 1190 x 270 mm /72.7 x 46.8 x 10.6 in

## WEIGHT

Net (lb / kg):	121.81lb/55.25kg
Gross (lb / kg):	170.81lb/77.48kg

## REGULATIONS

cTUVus, FCC/ICES003, Energy star 8.0, Mexico CoC, Mexico Energy, EMC/CE, CB/LVD, EAC, UkrSEPRO, LBL, FF, Green BOM, RoHS, SCIP, WEEE , EPEAT, BSMI, ErP, REACH , TPCH, CA65, PAIA

## PACKAGE CONTENTS

1.Power cable 2. Remote control 3. USB Type-C cable 4. USB Touch cable 5. Touch pen x 2 6. Quick Start Guide + Compliance statement 7. RS232 adapter 8. Clamp x 5 9. Camera Plate 10. Screw x 8 11. HDMI cable 12. Eraser 13. AAA Battery x 2

## COMPATIBLE SLOT-IN PC

VPC12 & VPC25/27-O & VPC25/27-O-B series
--

## NOTE

Disclaimer:  
1.Although we endeavor to present the most accurate and comprehensive information at the time of publication, we reserve the right to make any change regarding any info herein without prior notice.  
2.Unless otherwise stated, all performance claims are based on theoretical performance. Actual figures may vary in real-world situations and may depend on many factors including the processing speed of the host device, file attributes and other factors related to system configuration and your operating environment.  
3.Product Specification and appearance may differ from country to country and from model to model. We recommend that you check with your local dealers for the specification and the appearance of the product model available in your country. Colors of products may not be perfectly accurate due to variations caused by photography and monitor settings.